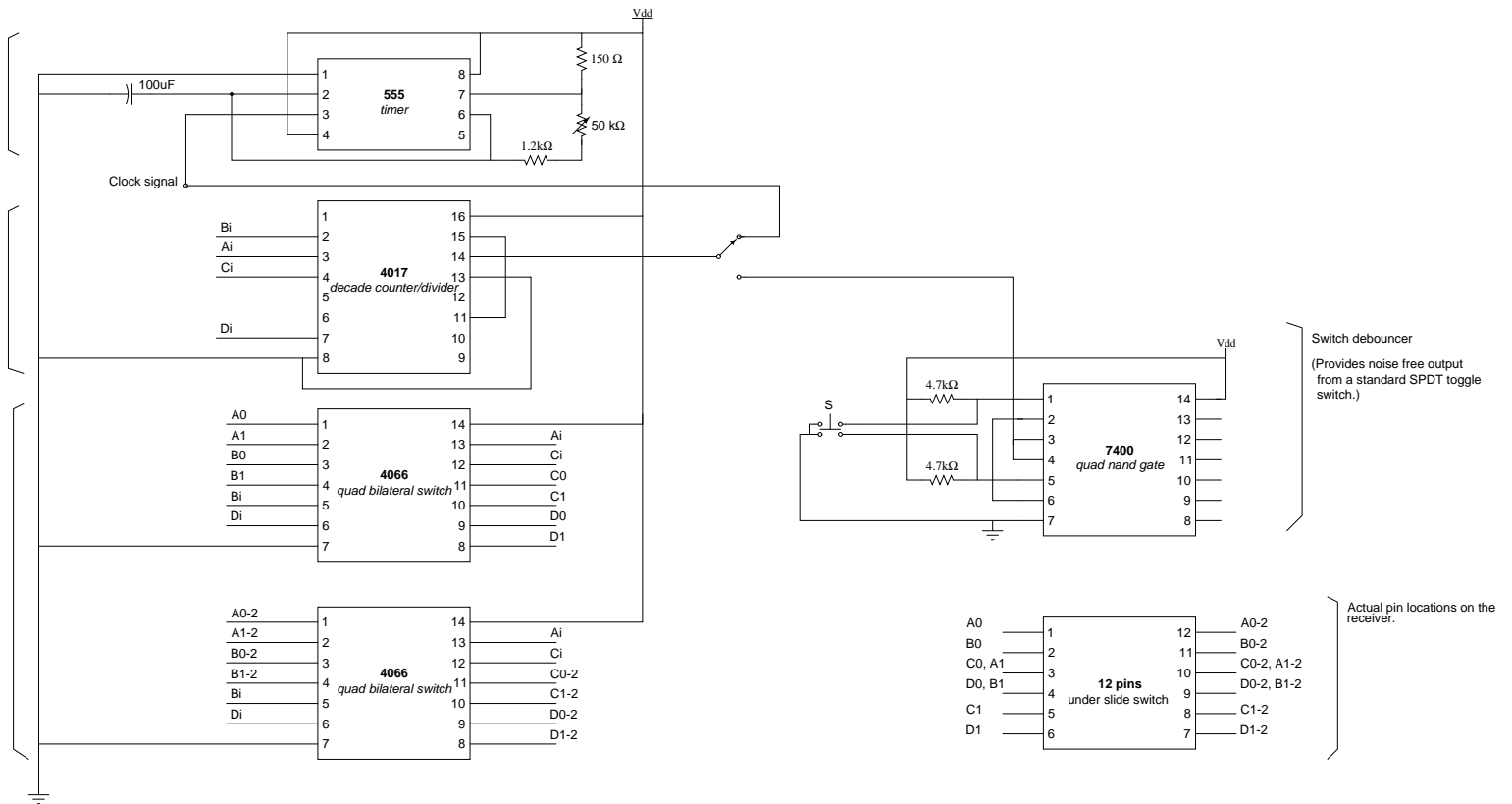


A timer circuit to produce a clock signal for the counter to count.

This is a counter that has been wired to count from 0 to 3 in order to cover the 4 different channels.

This does the actual switching to replace the channel selection slide switch.



Switch debouncer
(Provides noise free output from a standard SPDT toggle switch.)

Actual pin locations on the receiver.